

Alternating temperature control unit BW 200-48 VT



- PLC control for Variotherm process and monitoring functions (8" TFT touch screen)
- Various memory and program functions
- USB und Ethernet interface (output of temperature curves, alarm messages, etc.)
- Non-contact flow measurement with power display
- Sealless, magnetically coupled pump
- Heating and pump shutdown in case of lack of water
- Automatic filling
- Bypass cooling by plate heat exchanger
- Compact design

Device specification

Circulating fluid	Water
Electric connection	400 V / 50 Hz
Safety installations	Temperature monitor and limiter, level switch, pressure switch, safety valve, motor protection, undervoltage release
Dimensions	w620 x d1000 x h1020 mm
Weight	210 kg
Setup	Adjustable feet / Castors
Color	Stainless steel

Hot water circuit

Max. Flow temperature	200 °C
Heating power (switchable)	24 / 36 / 48 kW
Cooling power	75 kW
Max. Pump capacity	90 l/min, 7 bar (1,5 kW)
Filling volume	22 l
Connections	Flow/Return R 1"

Cold water circuit

Max. Flow temperature	140 °C
Heating power (switchable)	3 kW
Cooling power	200 kW
Max. Pump capacity	90 l/min, 7 bar (1,5 kW)
Filling volume	6 l
Connections	Flow/Return R 1"

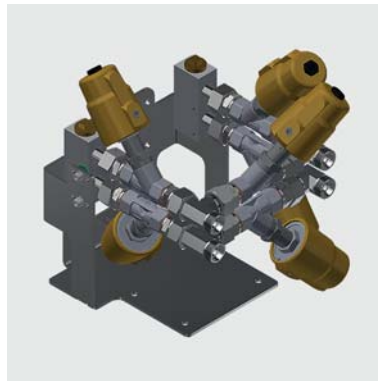
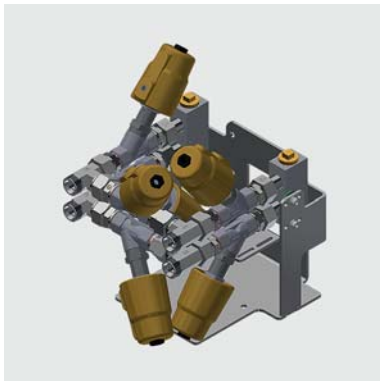
Alternating temperature control units Model Overview

Model*	BW 180-36 VT	BW 180-48 VT	BW 200-36 VT	BW 200-48 VT
Circulating fluid	Water	Water	Water	Water
Flow temperature	180 °C	180 °C	200 °C	200 °C
Heating power	36 kW / 3 kW	48 kW / 3 kW	36 kW / 3 kW	48 kW / 3 kW
Cooling power	150 kW / 40 kW	200 kW / 75 kW	150 kW / 40 kW	200 kW / 75 kW
Pump capacity	90 l/min, 7 bar (1,5 kW)	90 l/min, 7 bar (1,5 kW)	90 l/min, 7 bar (1,5 kW)	90 l/min, 7 bar (1,5 kW)
Filling volume	18 l	22 l	18 l	22 l
Connections	Flow/Return R 3/4"	Flow/Return R 1"	Flow/Return R 3/4"	Flow/Return R 1"

* Other models on request

Accessories

6-fold valve unit BR-DN15 / BR-DN20



- Connections DN15 or DN20
- Material Stainless steel in the medium circle
- Resistant and compact design
- Installation-friendly
- Mounting bracket for easy installation

